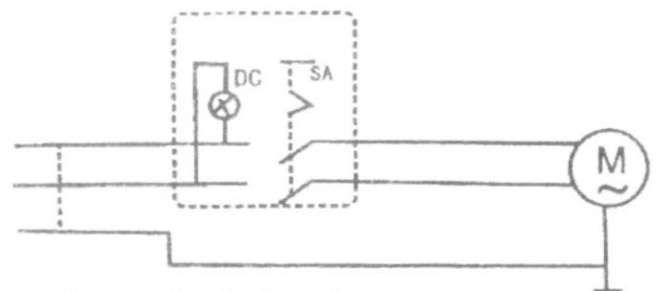
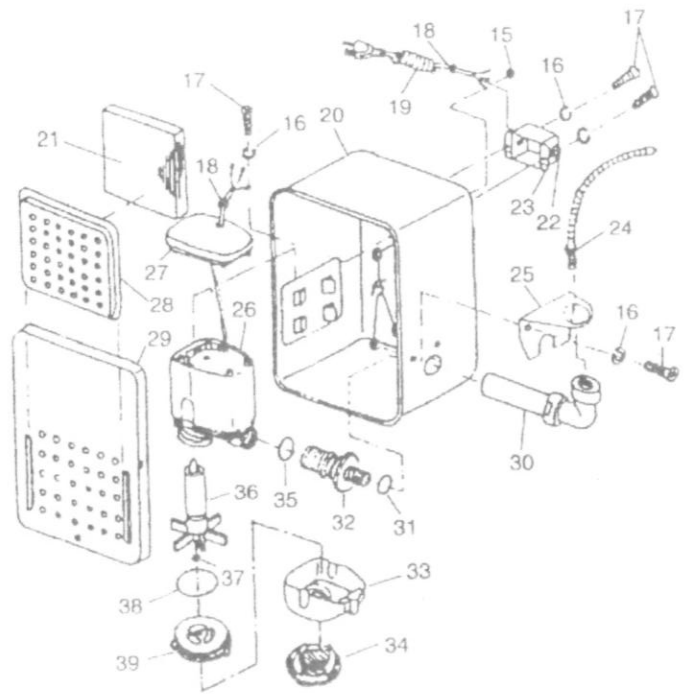
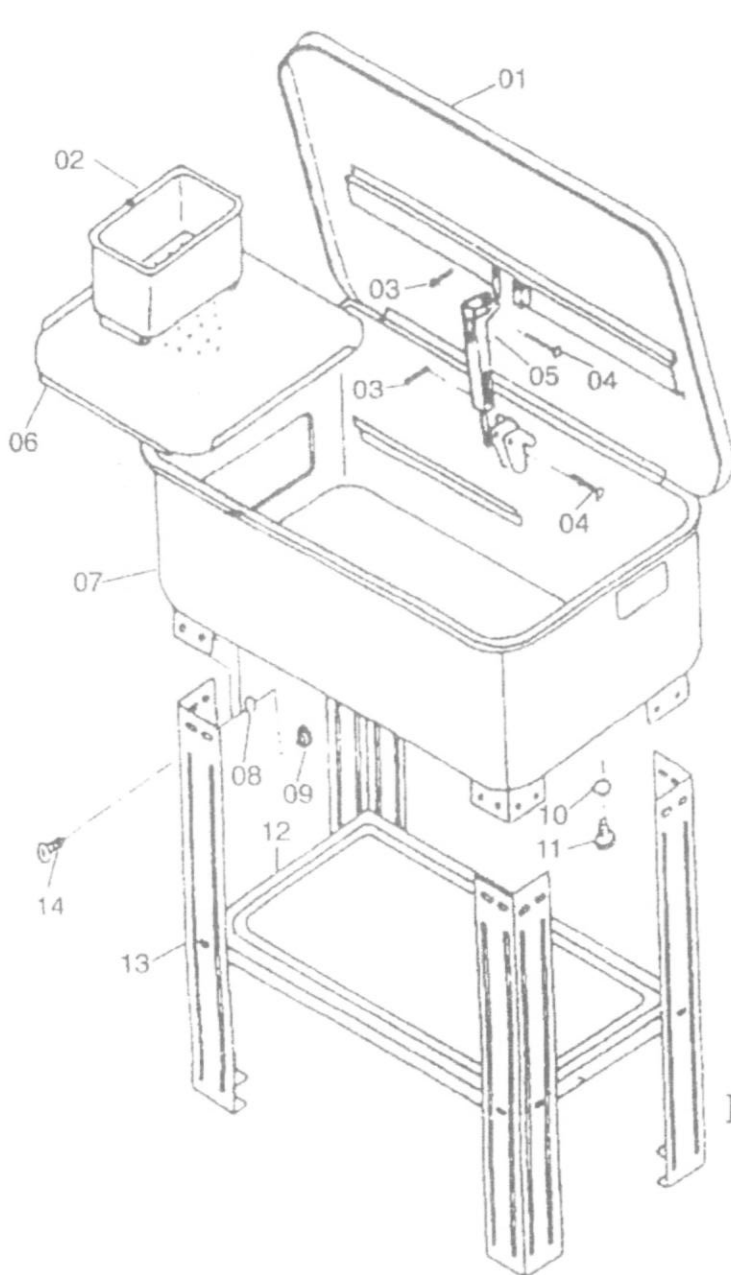




PARTS WASHER 20 GALLON OPERATING IINSTRUCTIONS MANUAL MODEL : PW20GAL



Electric principle figure



PARTS WASHER 20 GALLON OPERATING IINSTRUCTIONS MANUAL

MODEL : PW20GAL

ITEM	STOCK CODE	DESCRIPTION	QTY	ITEM	STOCK CODE	DESCRIPTION	QTY
01		Cover	1	21		Screen	1
02		Work Basket	1	22		Switch	1
03		Spring Pan	4	23		Switch Box	1
04		Pin	4	24	PW20GALFP24	Flexible Pipe	1
05		Safety Plate	1	25		Elbow Seat	1
06		Work Shelf	1	26		Pump Body	1
07		Body	1	27		Pump Back Cover	1
08		Spring Washer	24	28		Filter Cover	1
09		Nut	24	29		Pump Housing	1
10		O-ring	1	30		Elbow	1
11		Plug	1	31		Plastic Washer	1
12		Shelf	1	32		Spigot	1
13		Leg	4	33		Location of Knob	1
14		Pan Screw	24	34		Filter	1
15		Nut	5	35		Sealring	1
16		Spring Washer	5	36		Impeller	1
17		Screw	5	37		Shin Washer	1
18		Strain Relief	2	38		Sealring	1
19		Cable and Plug	1	39		Impeller Holder	1
20		Pump Housing	1		PW20GALLB	Lock Bar	
					PW20GALP	Pump	
					PW20GALWP	Pump Housing	