

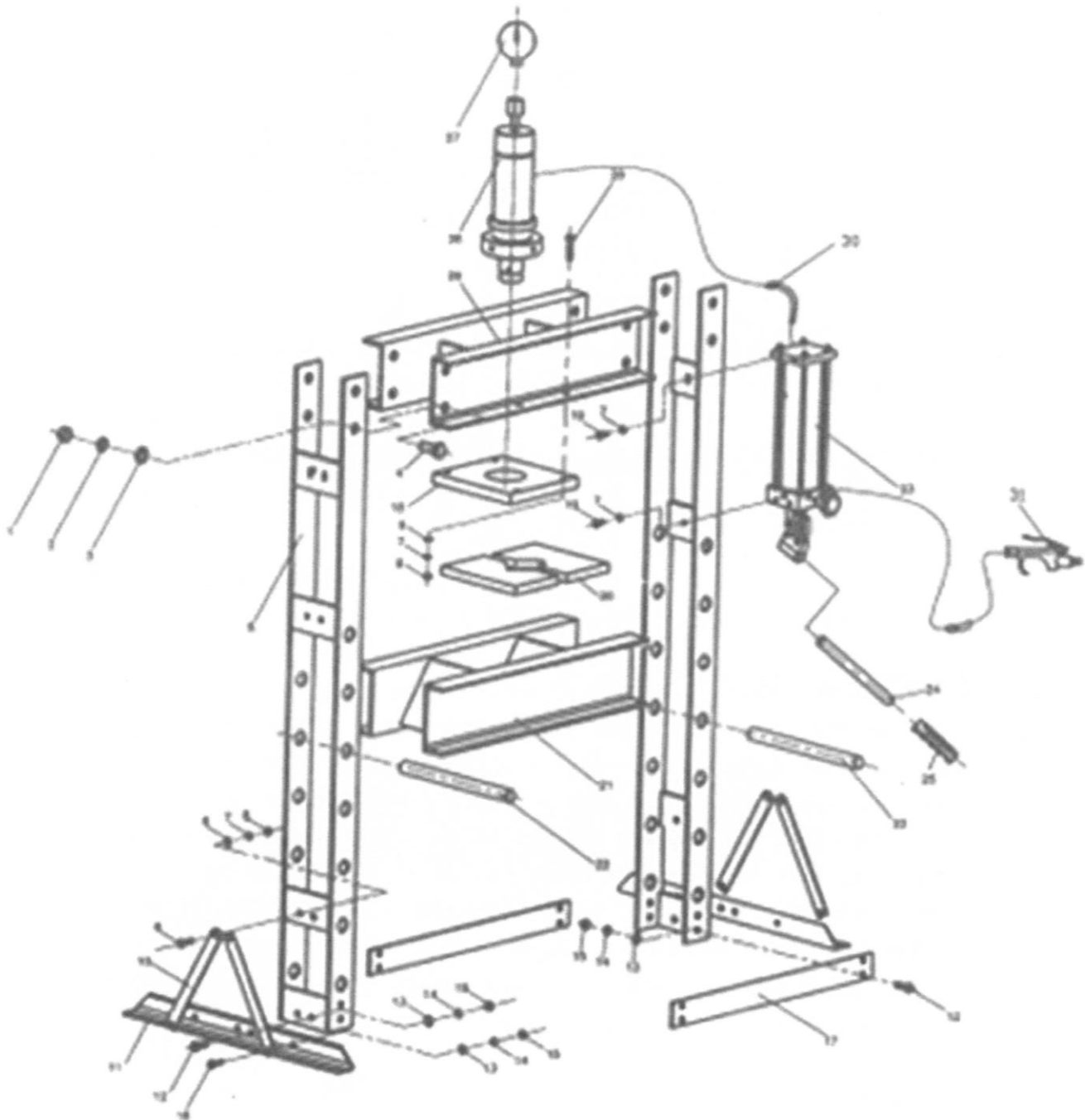


# 30 TON SHOP PRESS WITH GAUGE

OPERATING INSTRUCTIONS MANUAL

SHOP PRESS PART  
LIST (A)

## MODEL : SP30000G





# 30 TON SHOP PRESS WITH GAUGE

## OPERATING INSTRUCTIONS MANUAL

### MODEL : SP30000G

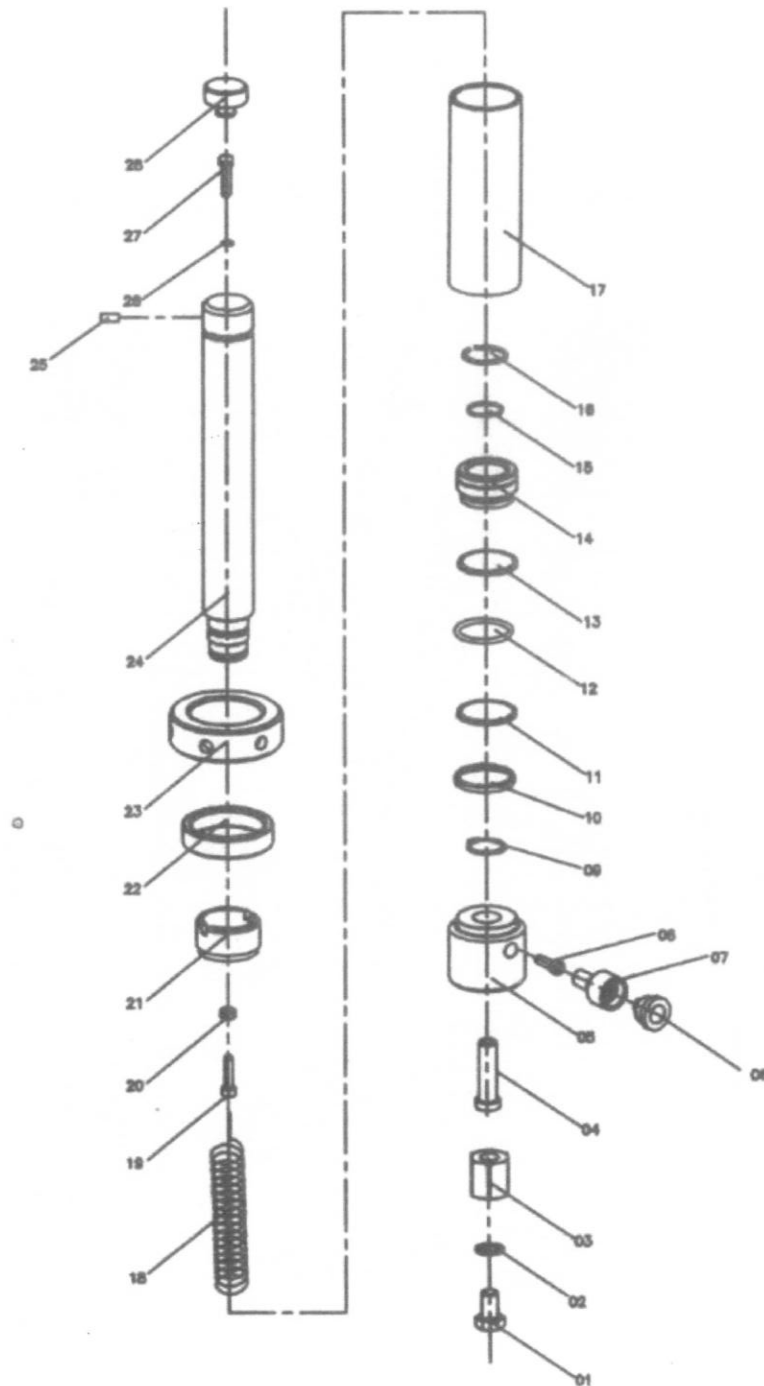
Item	Code	Description	Qty	Item	Code	Description	Qty
01		NUTS M20	8	17		BOARD ACROSS	2
02		SPRING WASHER M12	8	18		SETTLED BASE	1
03		WASHER M12	8	19		NUTS BOLT M10X25	4
04		NUT BOLT M20X45	8	20		ARBOR PLATE	2
05		SIDE FRAME ASSEMBLY	2	21		MIDDLE GIRDER	1
06		WASHER M10	8	22		SUPPORT PINS	2
07		SPRING M10	12	23		PRESS PUMP	1
08		NUTS M10	12	24		HANDLE	1
09		NUTS BOLT M10X30	4	25		HANDLE GRIP	1
10		ARM SUPPORT	4	26		NUTS BOLT M10X50	4
11		BASE SUPPORTS	2	27		PRESSURE GAUGE	1
12		NUTS BOLT M12X30	12	28		PRESS CYLINDER	1
13		WASHER M12	16	29		ACROSS GIRDER	1
14		SPRING M12	16	30		VALVE	1
15		NUTS M12	16	31		HYDUALIC HOSE	1
16		NUT BOLT M12X25	4		TRS30TSPG	SEAL KIT SET	



# 30 TON SHOP PRESS WITH GAUGE

OPERATING INSTRUCTIONS MANUAL

## MODEL : SP30000G





# 30 TON SHOP PRESS WITH GAUGE

## OPERATING INSTRUCTIONS MANUAL

### MODEL : SP30000G

Item	Code	Description	Qty	Item	Code	Description	Qty
01		BOLT	1	15		'O' – RING 40X2.65	1
02		RECTANGULAR RING	1	16		SPACING RING	1
03		RETAINER NUT	1	17		CYLINDER	1
04		TIE-IN	1	18		SPRING	1
05		SEAT OF CYLINDER	1	19		BOLT M8X50	1
06		DUST CAP	1	20		NUT M8	1
07		COUPLING BOLT	1	21		RETAINER NUT	1
08		BOLT M6X35	1	22		PROTECTING RING	1
09		SNAP RING	1	23		PROTECTING RING	1
10		“Y”-RING	1	24		PISTON ROD	1
11		BACK RING	1	25		BOLT M8X10	1
12		'O' – RING 70X2.65	1	26		RECTANGGULAR RING	1
13		NYLON RING	1	27		BOLT M8X10	1
14		PISTON RING	1	28		TOP NUT	1
					TRS30TSPG	Seal Kit Set	