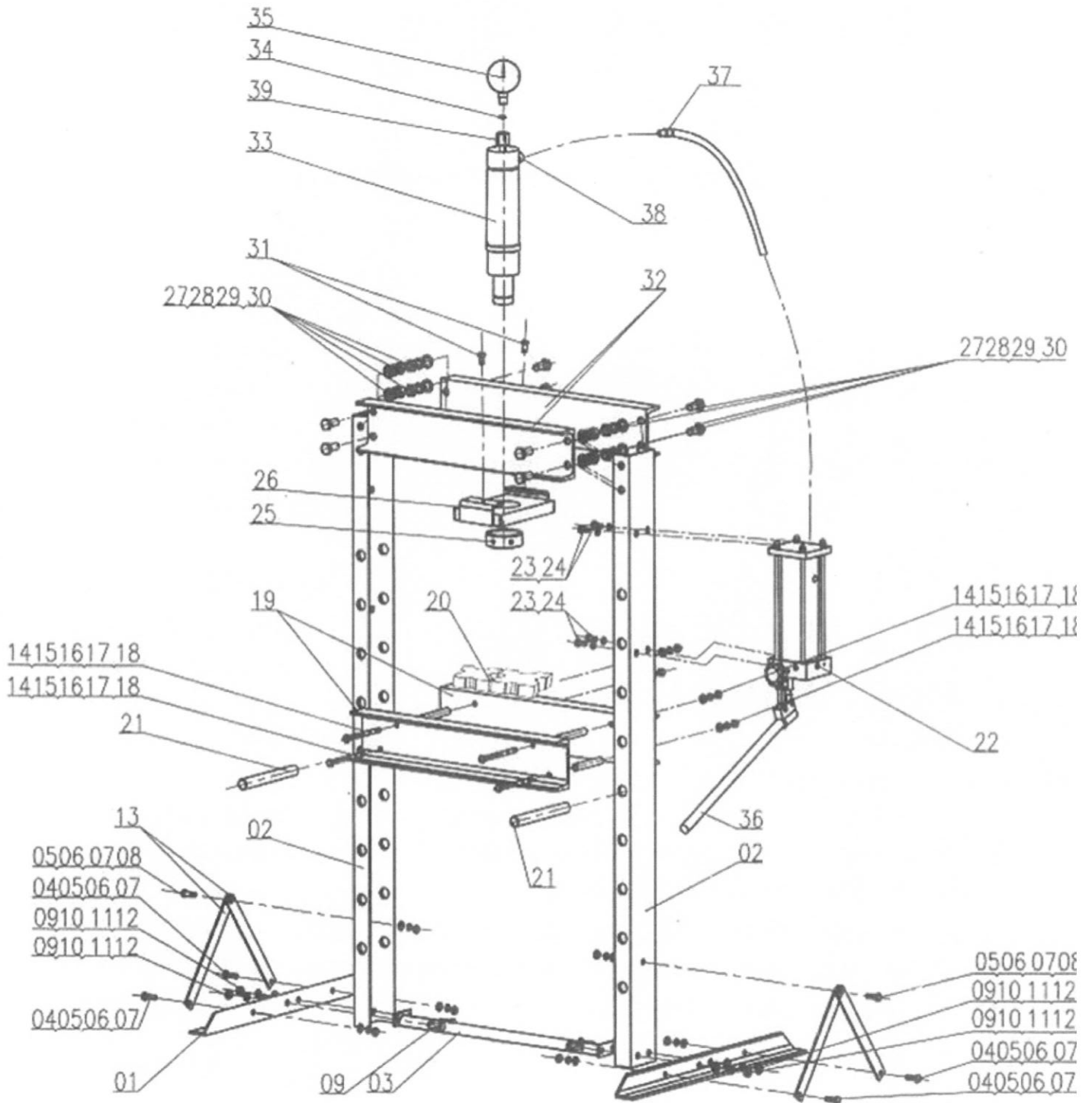




# 20 TON SHOP PRESS WITH GAUGE OPERATING INSTRUCTIONS MANUAL MODEL : SP20000G





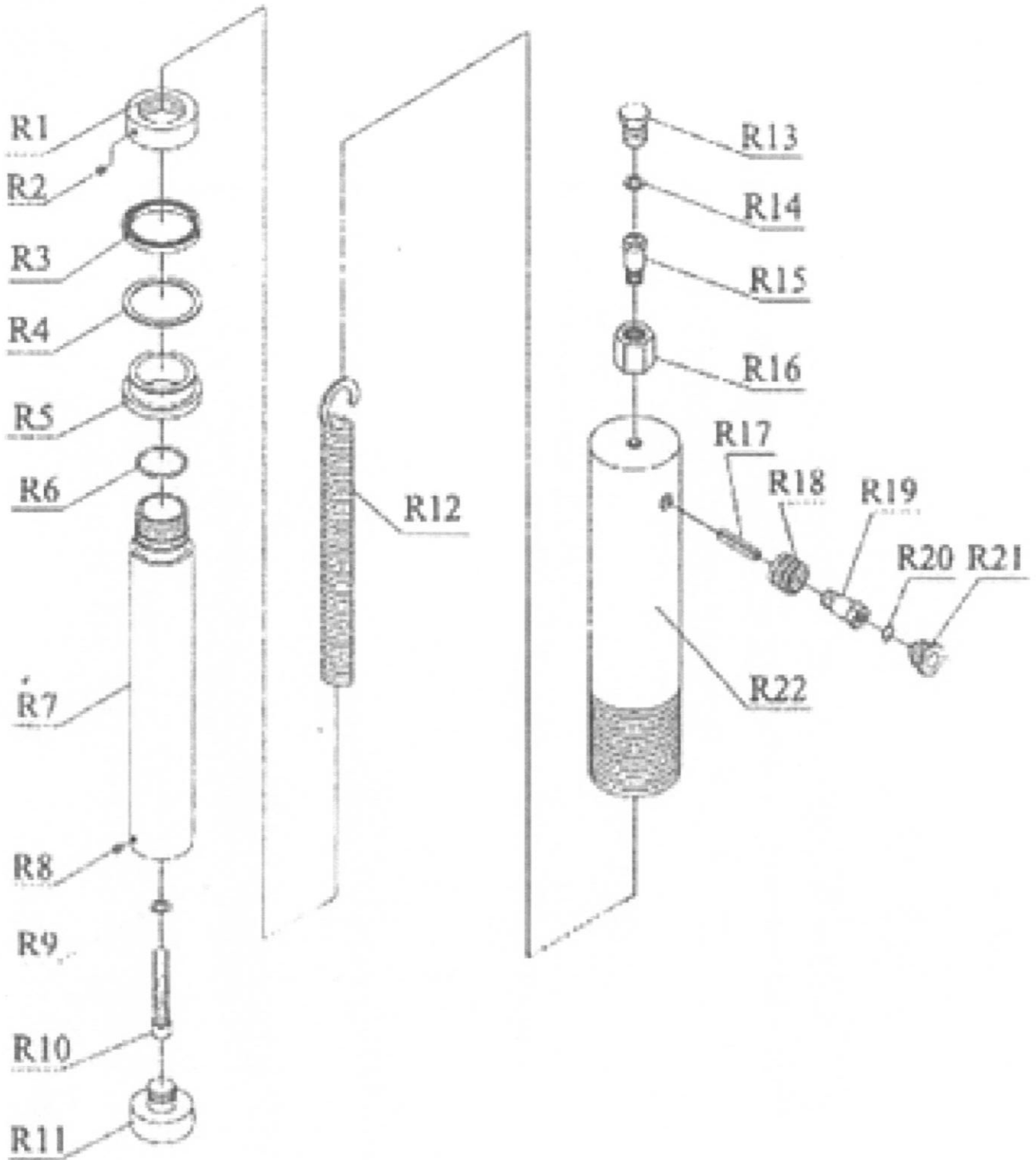
# 20 TON SHOP PRESS WITH GAUGE OPERATING INSTRUCTIONS MANUAL

## MODEL : SP20000G

Item	Stock Code	Description	Qty	Item	Stock Code	Description	Qty
01		Base Angle Iron	2	21		Support Pins	2
02		Post	2	22		Hydraulic pressure Pump	1
03		Link Components	1	23		Nuts Bolt M10x20	4
04		Nuts Bolt M10x25	4	24		Spring Washer 10	4
05		Washer 10	6	25		Under Round Nut	1
06		Spring Washer 10	6	26		Jack Fired Seat	1
07		Nuts M10	6	27		Nuts Bolt M16x35	8
08		Nuts Bolt M10x30	2	28		Washer 16	8
09		Nuts bolt M12x35	4	29		Spring Washer 16	8
10		Washer 12	4	30		Nuts M16	8
11		Spring Washer 12	4	31		Nuts Bolt M8x16	2
12		Nuts M12	4	32		Upper crossbeam	2
13		Knighthead	4	33		Press Cylinder	1
14		Nuts Bolt M10x130	4	34		Nylon Ring	1
15		Washer 10	4	35		Pressure Gauge	1
16		Spring Washer 10	4	36		Handle	1
17		Nuts M10	4	37		Hose Fitting	1
18		Stay Bar	4	38		Connection Nut	1
19		Press Bed Frame	2	39		Gauge Connection nut	1
20		Bell Block	2		TRS20TSPG	Seal Kit Set	
					TRSAL20TSPG	4 PCS Support Arm & 2 PCS Level	



# 20 TON SHOP PRESS WITH GAUGE OPERATING INSTRUCTIONS MANUAL MODEL : SP20000G





**20 TON SHOP PRESS WITH GAUGE**  
**OPERATING INSTRUCTIONS MANUAL**  
**MODEL : SP20000G**

Item	Description	Qty	Item	Description	Qty
R1	Nut	1	R12	Spring	1
R2	Screw M6x6	1	R13	Screw	1
R3	Sealing Ring	1	R14	Nylon Ring	1
R4	Ring	1	R15	Gauge Coupler	1
R5	Bushing	1	R16	Gauge Connection nut	1
R6	O ring	1	R17	Pin	1
R7	Ram	1	R18	Connection Nut	1
R8	Screw M6x10	1	R19	Coupler	1
R9	Sealing Washer	1	R20	O ring	1
R10	Bolt M10	1	R21	Dust Cap	1
R11	Toe	1	R22	Cylinder	1